

Just use a hexagonal washer instead of a round washer!



Hold on the washer, turn the nut, stretch the bolt

Stretch to Load



ADVANTAGES

SAFETY

- Hands free (even upside down)
- Safe distance from high pressure system click on tools, remote control on pump unit
- Environmentally clean
- No back-up wrench
- No reaction arm

SPEED

- Simple to learn
- No specialists needed, unscheduled maintenance can be done by own people
- Fast and easy disassembly
- Simultorc (multi-tool concept)
- Counter nut is not turning

ACCURACY / QUALITY

- Reliability
- Verification
- No overstressing bolts
- Far more accurate than tensioners, proven by Lloyd's & BASF

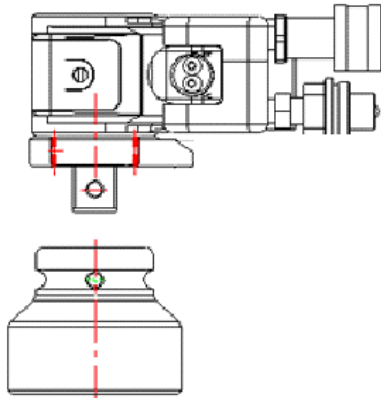
COST

- No leaks
- Ease of use
- One tool for torque and tensioning
- Reduce set-up and bolting time

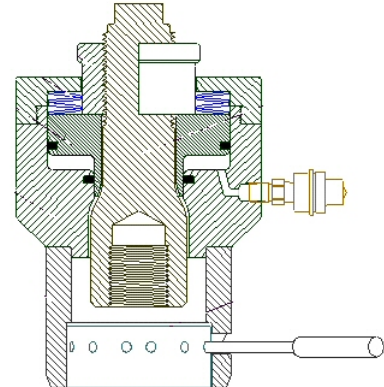
MORE INFORMATION

HYTORC CLAMP B.V.	Platinawerf 8	Tel: +31(0)24- 3 660 660	info@hytorc.nl
	NL - 6641 TL Beuningen	Fax: +31(0)24- 3 480 090	www.hytorc.nl

Torque



Tensioning



PRO's

- Fast & simple
- Consistent even load
- Easy verifiable measurement

CONS

- Hard on threads
- "Accuracy ?", unknown frictions
- Needs a block and back-up

PRO's

- No turning on threads
- Accurate pull
- No block or back-up

CONS

- Complex setup, over-stretch and bounce-back
- "Retained load ?", only the nut keeps the load
- Hard to verify, won't fit in tight spaces

We have taken the best of both and left the drawbacks behind!

Stretch to Load



Examples



MORE INFORMATION

HYTORC CLAMP B.V.

Platinawerf 8

Tel: +31(0)24- 3 660 660

info@hytorc.nl

NL - 6641 TL Beuningen

Fax: +31(0)24- 3 480 090

www.hytorc.nl